

**TCM**

# **SKID STEER LOADER 709EN**

## **Advanced feature Power-train**

Hydrostatic pump integrates Anti-stall system for various condition at work-sites.

## **Easy and light to use operation System**

Multifunctional controls enable easy operations with less-fatigue.

## **Safe and Comfortable Cabin**

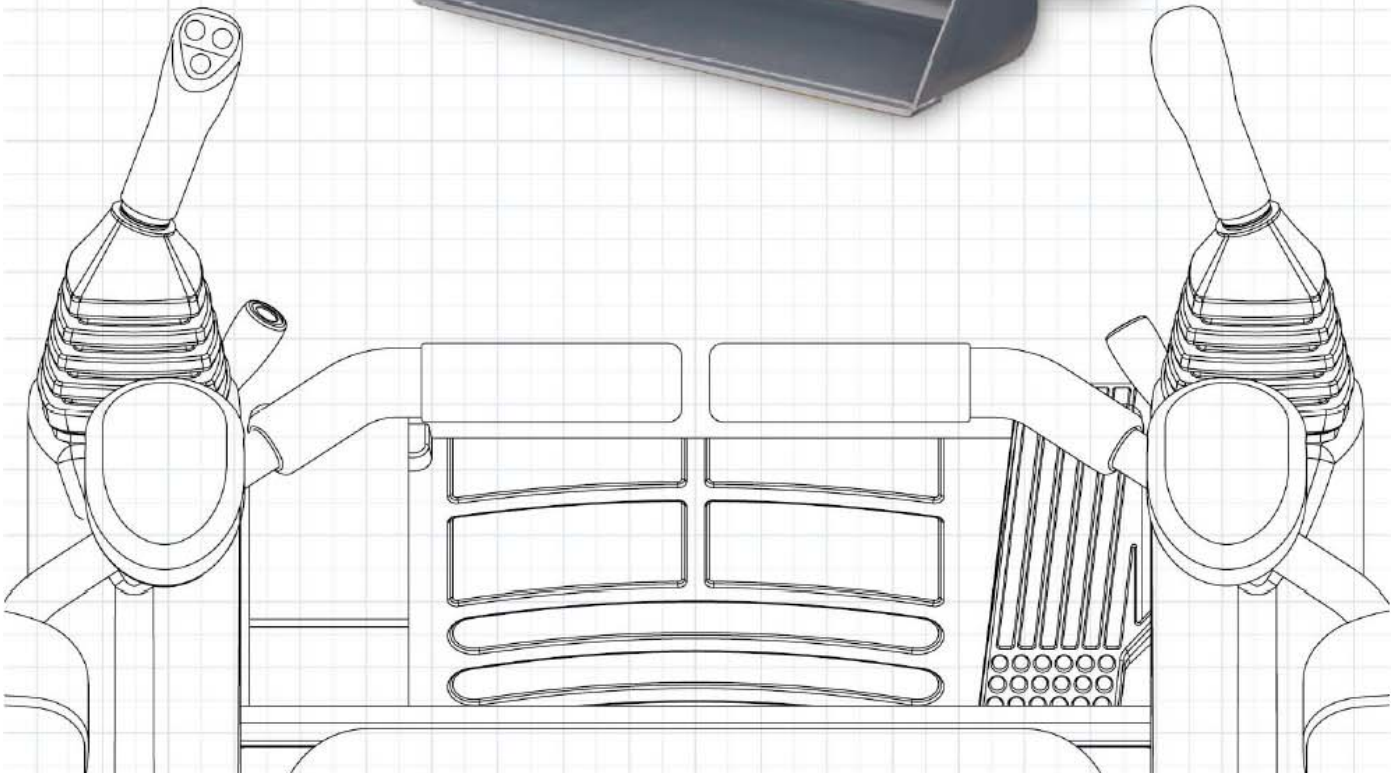
Designed ergonomic cabin(Rops/Hops).  
Delux suspension seat with interlock mechanism(ISO 7096) is standard configuration and adjustable for excellent operating comfort.

## **Class Top Dumping reach and Clearance**

TCM 709EN skid steer loader provides class top dumping reach and clearance for high productivity.



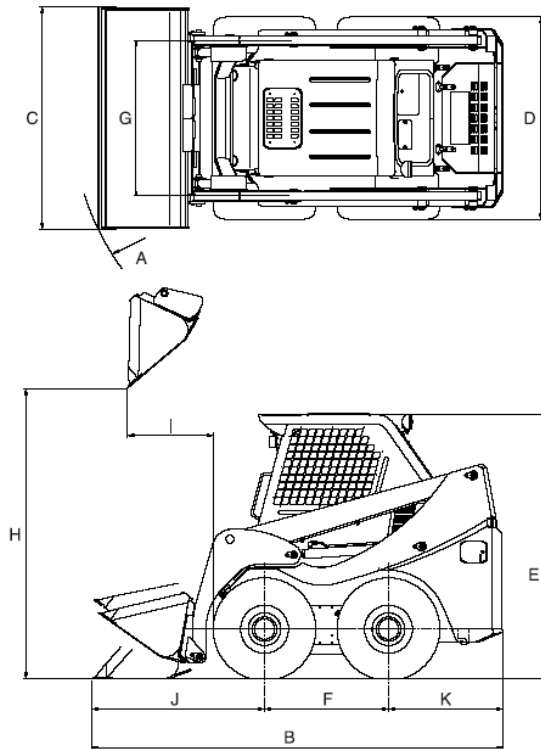
**SSL**  
SKID STEER LOADER



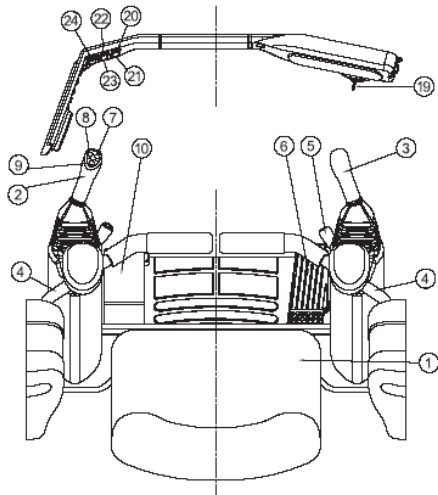
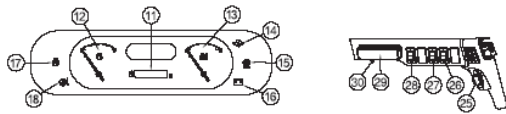
## STANDARD SPECIFICATIONS

Characteristics	Manufacturer		TCM		
	Model Designation		SSL 709EN		
Operation	Type		Front End Type		
	Power Unit		Diesel Engine		
Performance	Operation		Seated		
	Bucket Capacity	Heaped	m3	0.35	
		Struck	m3	0.27	
	Rated Operating Capacity		kg	700	
	Tipping Load		kg	1400	
	Hydraulic Cycle Time	Raise (W/Rated Load)		sec	3.9
		Dump		sec	2.5
		Lower (Empty)		sec	3.2
	Travel Speed	Forward		km/h	12
		Reverse		km/h	12
	Maximum Traction Force (W/Rated Load)		kN	22.5	
	Greadeability	Unloaded		deg	17
		Loaded		deg	30
	Min. Turning Radius, Front with Std Bucket		mm	A	2300
Min. Turning Radius, Rear		mm		1380	
Overall Length, Bucket on Ground		mm	B	3090	
Overall Width	Loader Body		mm	D	1535
	Bucket Std		mm	C	1670
Wheel Base		mm	F	930	
Front Overhang, Bucket on Ground		mm	J	1300	
Rear Overhang		mm	K	860	
Tread	Front/Rear		mm	G	1250/1250
	Overall Height at CAB.		mm	E	1980
Overall Operating Height		mm		3660	
Height to Hinge Pin (Fully Raised)		mm		2835	
Dumping Clearance, Max. Height, Full Dump Position		mm	H	2200	
Dumping Reach Max. Height, Full Dump Position		mm	I	610	
Rollback Angle (at Carry Position)		deg.		35	
Dump Angle (Max.)		deg.		37	
Ground Clearance		mm		185	
Drawbar Height		mm		300	
Operating Weight		kg		2720	
Engine & Electrical System	Make		Kubota		
	Model		V2403-M		
	Type		4 Cycle, Water Cooled		
	Displacement		lit	2,434	
	Number of Cylinder		4		
	Bore x Stroke		mm	87.0 x 102.4	
	Rated Output		33.5kW/2400rpm		
	Maximum Torque		156.4Nm/1600rpm		
	Air-Cleaner		Dry Cyclon Type		
	Fuel Inj. Pump		Plunger Type		
	Lubricating Oil Filter		Full Flow/Spin-on Cartridge		
	Alternator		AC 0.54kW,12V		
	Starter Motor		12V-2.0kW		
	Battery		1 x 12V/64AH/5h		
Power Train	Type		Hydraulic Drive		
	HST Pump	Type	Variable Capacity, Axial Piston Pump		
		Capacity	cc/rev.	0~46	
	HST Motor	Type	Constant Capacity, Trochold Motor		
Capacity		cc/rev.	324		
Reduction		Gear & Chain Single Reduction			
Drive System		4-Wheel Drive			
Axles & Wheels	Axles	Front	Frame Fixed, Semi-Floating		
		Rear			
	Tires	Front/Rear	4pcs	10-16.5-6PR	
Type		Traction Lug			
Parking		Hydraulically Released Multi-Disc			
Steering System		Skid-Steering, Independent RH/LH Wheels			
Loading Mechanism & Linkage		Hyd.Automatic Bucket Leveling System			
Boom Cylinder (Bore x Stroke mm)		2pcs	60 x715		
Bucket Cylinder (Bore x Stroke mm)		2pcs	60 x 445		
Main Pump	Type	Gear Pump			
	Displacement	cc/rev.	27.4		
Charging Pump	Type	Gear Pump			
	Displacement	cc/rev.	20.3		
Main Control Valve		Set Relief Press.	MPa	17.2	
Noise Level	Extensor Noise Level (2000/14/EC LwA)		dB(A)	100	

## STANDARD DIMENTIONS



## INSTRUMENTS & CONTROLS



① Operating seat	⑩ Att pedal (Option)	⑱ Battery charge monitor lamp
② Steering control joystick	⑪ Hour meter	⑲ Glow signal monitor lamp
③ Loading control joystick	⑫ Fuel gauge	⑲ HST oil temperature monitor lamp
④ Safty bar	⑬ Engine water temperature gauge	⑲ Starter switch
⑤ Accelerator lever	⑭ Engine oil pressure monitor lamp	⑲ Seat switch indicator
⑥ Accelerator pedal	⑮ HST filter monitor lamp	⑲ Safty bar indicator
⑦ Turn signal (R.H.) switch		⑲ Turn signal indicator
⑧ Turn signal (L.H.) switch		⑲ Parking brake indicator
⑨ Horn button		⑲ Parking switch
		⑲ Head lamp & Position lamp switch
		⑲ Boom float switch
		⑲ Loading system lock switch
		⑲ Rear work lamp switch (Option)
		⑲ Room lamp
		⑲ Room lamp switch

## STANDARD EQUIPMENTS & OPTIONALS

Model	SSL 709EN
<b>Operators CAB</b>	
Front window	OPT
Operator hand tool kit	STD
Overhead roof with resinified screen	STD
Rear window	STD
Rops and level I Fops	STD
Safety seat bar with arm rest	STD
Side windows	OPT
Steel cabin with front door and side windows	OPT
Suspension seat with restraint system	STD
<b>Equipment &amp; Operation</b>	
Aircleaner dust indicator	STD
Anti-stall system	STD
Back-up alarm	STD
Body coloring paint (White)	OPT
Dual-element cycropac aircleaner	STD
Flat face couplers (ISO 16028)	STD
Floor mat	STD
Fuel-cap with key (Vandalism)	OPT
Hydraulic control valve (3spool)	STD
Inter lock system	STD
Lift arm support strut,	STD
Lifting-eye device	STD
Plate-fin type radiator	OPT
Self-leveling lift	STD
TCM Quick carrier	STD
Under cover (Guard)	STD
Unique cushion tire	OPT
Wheel-rim, galvanized	OPT
12 V power accessory	STD
<b>Instruments &amp; Control</b>	
Accelerator lever	STD
Accelerator pedal	STD
Attachment pedal	STD
Attachment pedal lock lever	STD
Boom float switch	STD
Combination meter: (Battery charge warning) (Engine oil pressure warning) (Engine water temp. gauge) (Fuel gauge) (Hourmeter) (HST oil pressure warning) (HST oil temp. warning)	STD
Horn button	STD
Lighting switch	STD
Loader lock switch	STD
Loading control joystick	STD
Parking Brake switch	STD
Rear working light switch	STD
Starter switch (inc. Glow switch)	STD
Steering joystick	STD
Turn signal buttons	STD
<b>Lighting Equipments</b>	
Brake lights	STD
Head lights	STD
Rear working light	STD
Room light	STD
Rotating beacon light	OPT
Parking light	STD
Tail lights	STD
Turn signal lights (Front & Rear)	STD
<b>Buckets &amp; Loading Attachments</b>	
Blade	OPT
Bucket, dirt	STD
Bucket, dirt reinforced type	OPT
Bucket, double edge	OPT
Bucket, light	OPT
Bucket, utility	OPT
Bucket, utility, double edge	OPT
Bucket, utility, double edge, galvanized	OPT
Bucket, utility, galvanized	OPT
Bucket, utility, stainless	OPT
Bucket with tooth	OPT
Forks, digging	OPT
Forks, industrial pallet	OPT
Forks, utility	OPT
Forks, utility, grapples	OPT

STD: Standard configuration OPT:Optionals

## SERVICE REFILL CAPACITIES

Model	SSL 709EN
Engine coolant (Engine & Radiator)	Lit. 6.6
Fuel tank	Lit. 40.0
Engine crankcase	Lit. 9.0
Transmission (HST) case	Lit. 44.0
Hydraulic oil tank	Lit. 24.0



OPTION COLOR : WHITE

**NOTE:**

Conformed following directive and major standards:

- |             |  |
|-------------|--|
| 98/37/EC    | EC directive to machinery                      |
| 2000/14/EC  | EC directive to noise emission                 |
| 2004/108/EC | EC directive to electromagnetics compatibility |
| ISO 7096    | Operator seat vibration                        |
| ISO 3449    | FOPS - Earth-moving machinery                  |
| ISO 3471    | ROPS - Earth-moving machinery                  |

TCM retains the right to change these products and specifications without incurring any obligation relating to such changes.

These products and specifications are subject to change without notice.

Photos and illustrations may or may not include optional equipment and accessories.

Features and specifications may vary depending on markets.



ISO 9001 Certification  
(TCM Shiga Plant)

ISO 14001 Certification  
(TCM Shiga Plant)

**Manufactured by**

**TCM**  
**TCM CORPORATION**

1-15-5 Nishi-Shimbashi, Minato-ku,  
Tokyo 105-0003 Japan  
Tel : +81-3-3591-8176  
Fax: +81-3-3591-8152  
<http://www.tcmglobal.net>

**Distributed by**